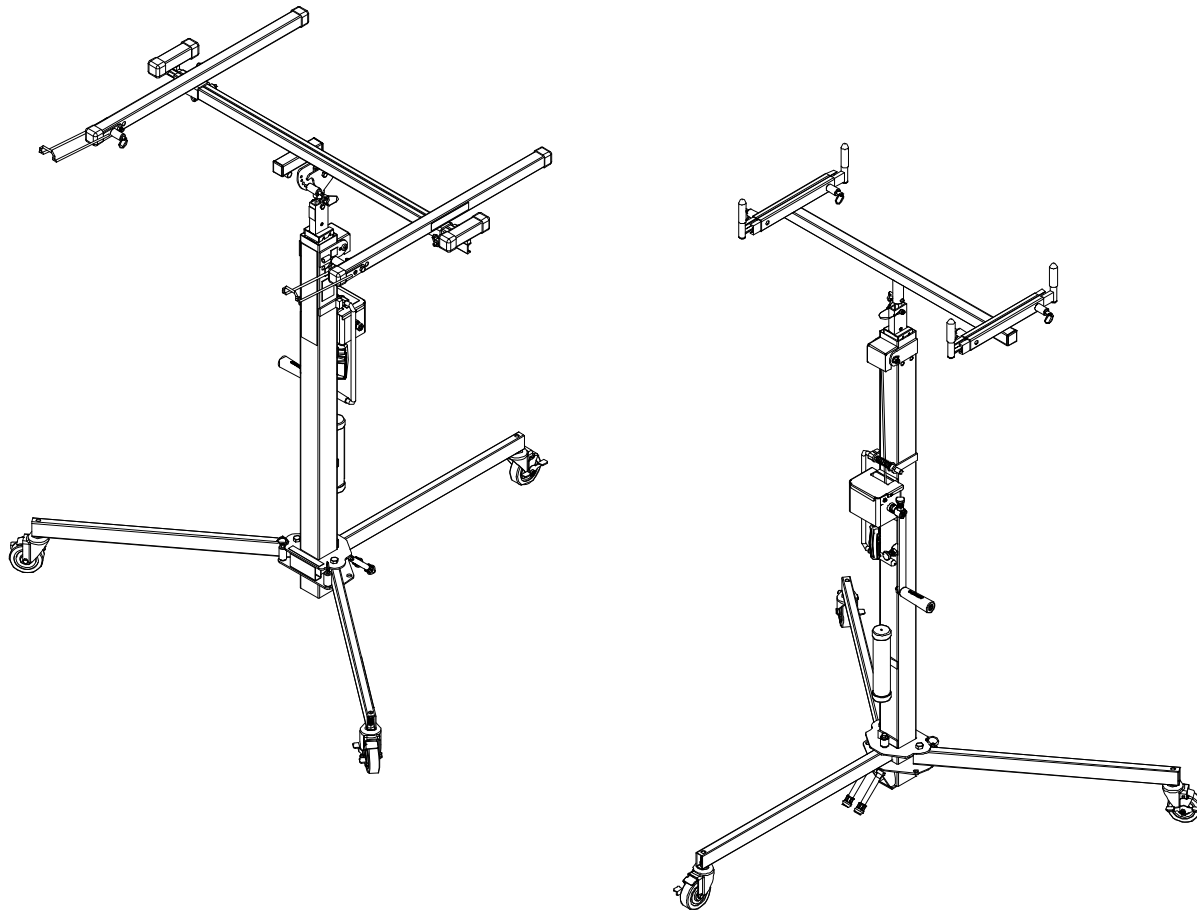

PARTS MANUAL

SERIES 2300 DRYWALL/HVAC LIFT



SUMNER[®]

USA:

7514 Alabonson Rd.
Houston, TX 77088
tel: 281-999-6900
fax: 281-999-6966

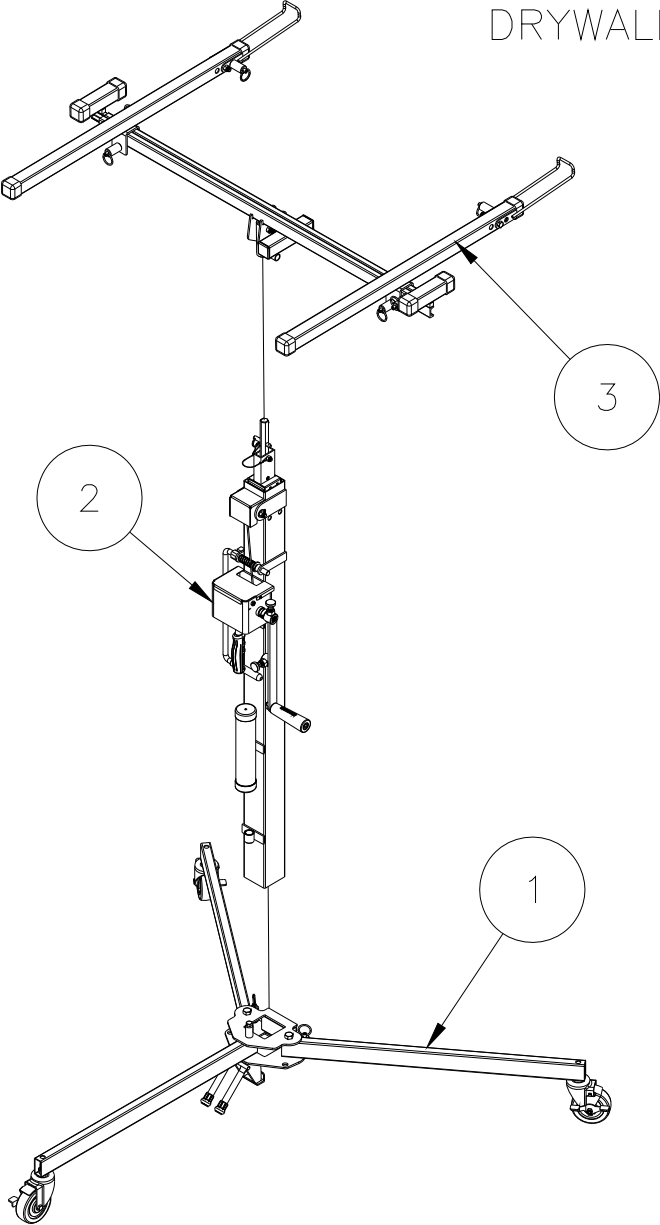
CANADA:

470 Collier MacMillan Drive
Unit 2 & 3
Cambridge, ON N1R 5Y7
tel: 519-623-2300
fax: 519-623-0744

UK:

Unit 16A
Blackpole Trading Estate East
Blackpole Road
Worcester, WR3 8SG
tel: +44 (0)1905 458333
fax: +44(0)1905 458222

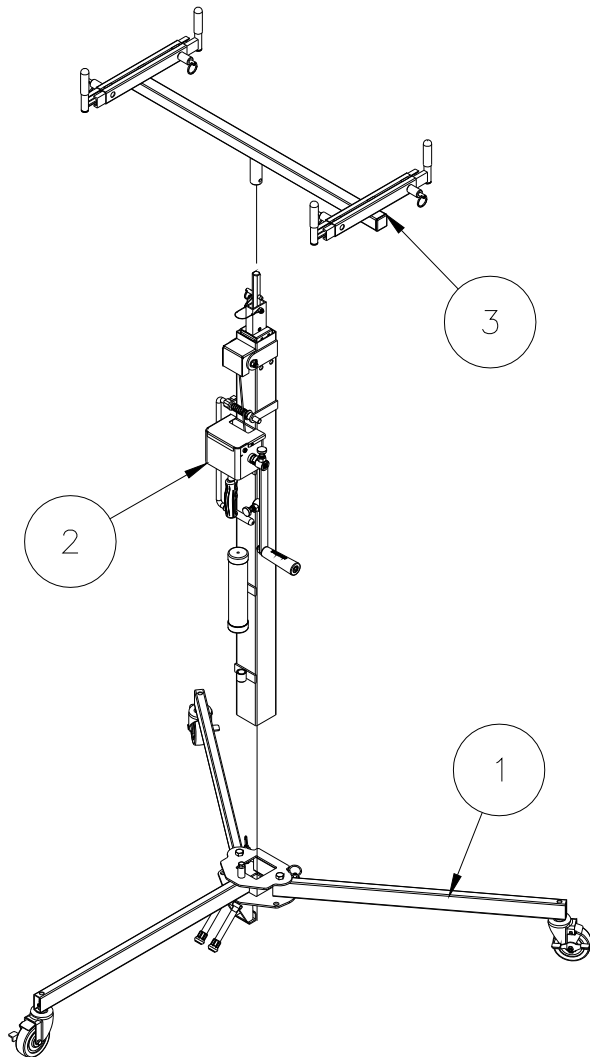
DRYWALL LIFT ASSEMBLY



784351	DRYWALL LIFT ASSEMBLY MODEL 2315CE
784346	DRYWALL LIFT ASSEMBLY MODEL 2315
784350	DRYWALL LIFT ASSEMBLY MODEL 2311CE
784345	DRYWALL LIFT ASSEMBLY MODEL 2311
PART NO.	DESCRIPTION
APPLICATION CHART	

3	784355	1	CRADLE ASSEMBLY 2300
2	784353	1	MAST ASSEMBLY MODEL 2315CE
	784352	1	MAST ASSEMBLY MODEL 2315
	784348	1	MAST ASSEMBLY MODEL 2311CE
	784347	1	MAST ASSEMBLY MODEL 2311
1	784420	1	BASE ASSEMBLY 2300
ITEM	PART NO.	QTY.	DESCRIPTION
PARTS LIST			

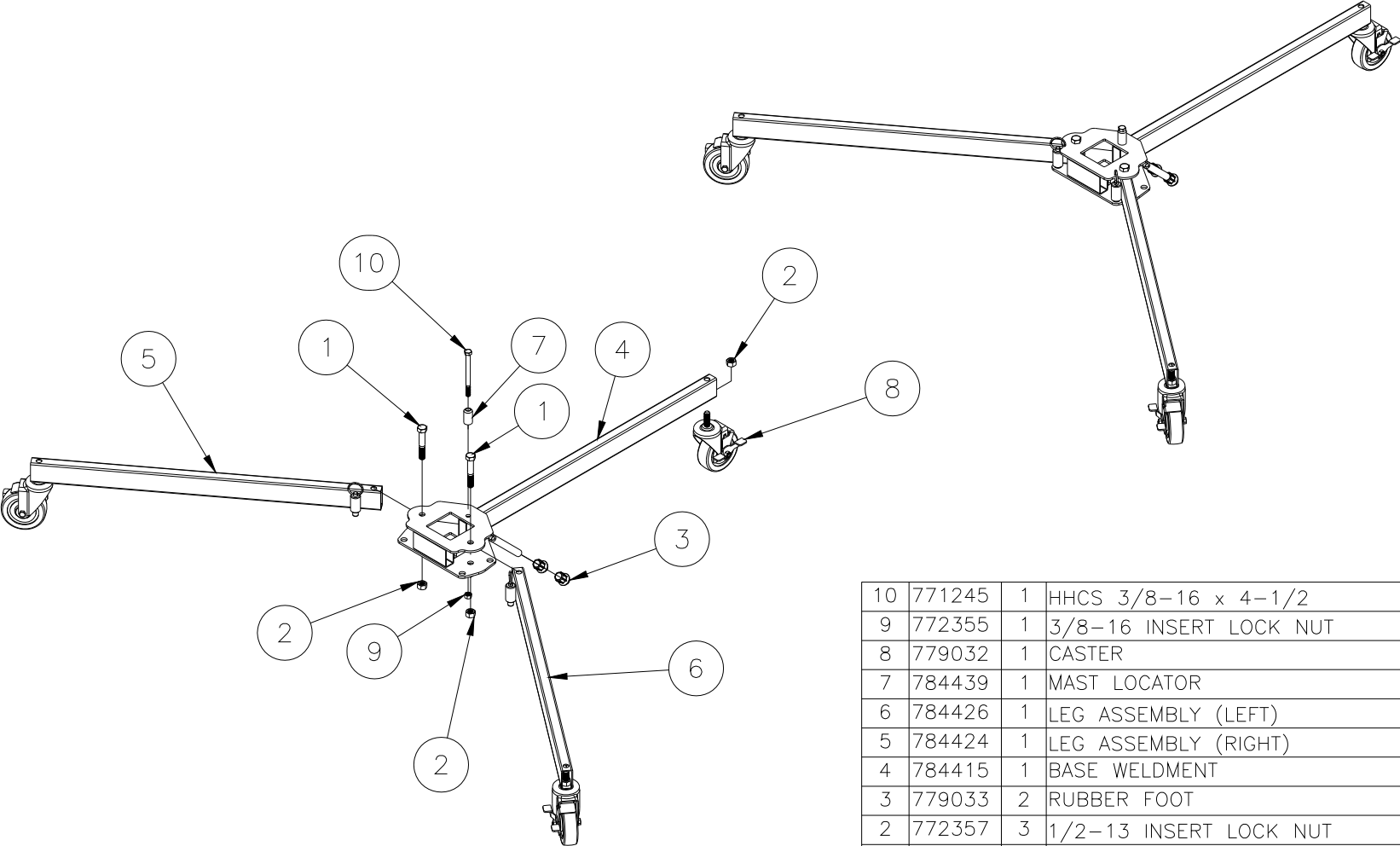
HVAC/ELECTRICAL LIFT ASSEMBLY



784333	HVAC/ELECTRICAL LIFT ASSY. MODEL 2315CE
784332	HVAC/ELECTRICAL LIFT ASSY. MODEL 2315
784331	HVAC/ELECTRICAL LIFT ASSY. MODEL 2311CE
784330	HVAC/ELECTRICAL LIFT ASSY. MODEL 2311
PART NO.	DESCRIPTION
APPLICATION CHART	

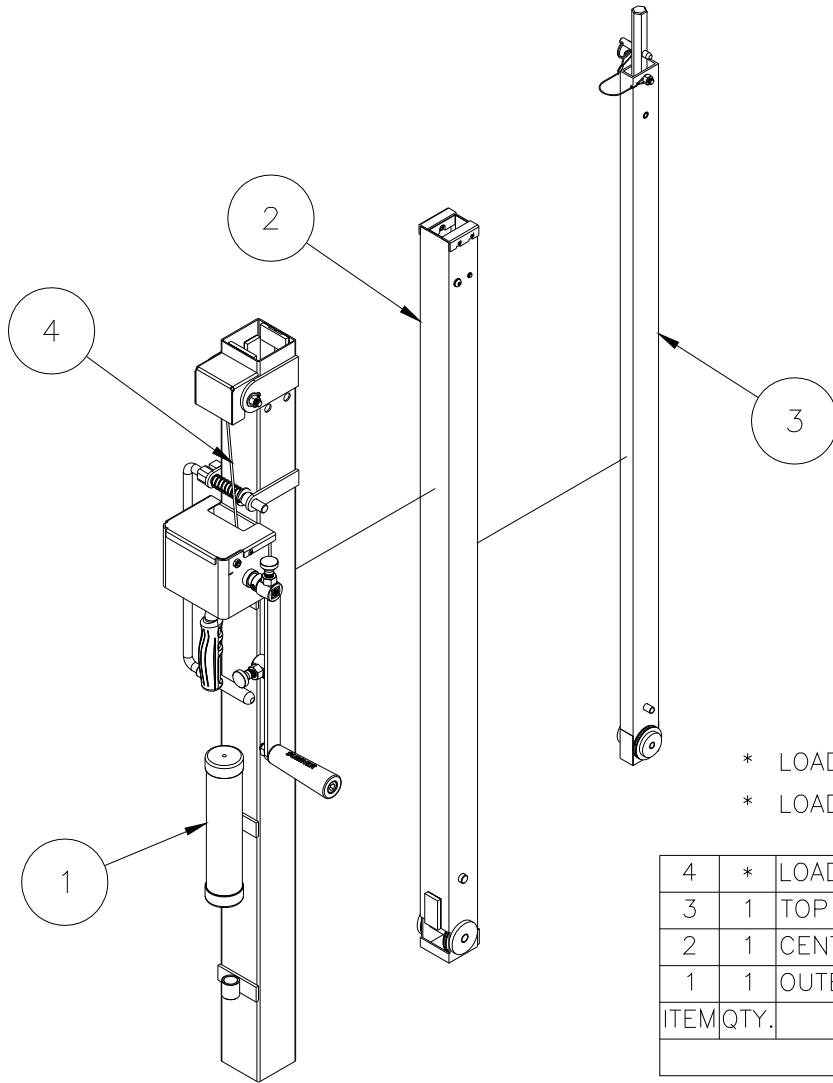
3	784474	1	HVAC/ELECTRICAL CRADLE ASSY.
2	784353	1	MAST ASSEMBLY MODEL 2315CE
	784352	1	MAST ASSEMBLY MODEL 2315
	784348	1	MAST ASSEMBLY MODEL 2311CE
	784347	1	MAST ASSEMBLY MODEL 2311
1	784420	1	BASE ASSEMBLY 2300
ITEM	PART NO.	QTY.	DESCRIPTION
PARTS LIST			

784420 – BASE ASSEMBLY



10	771245	1	HHCS 3/8-16 x 4-1/2
9	772355	1	3/8-16 INSERT LOCK NUT
8	779032	1	CASTER
7	784439	1	MAST LOCATOR
6	784426	1	LEG ASSEMBLY (LEFT)
5	784424	1	LEG ASSEMBLY (RIGHT)
4	784415	1	BASE WELDMENT
3	779033	2	RUBBER FOOT
2	772357	3	1/2-13 INSERT LOCK NUT
1	771142	2	SCREW, HHC 1/2-13 x 3
Item	Part No.	Qty	Description
Parts List			

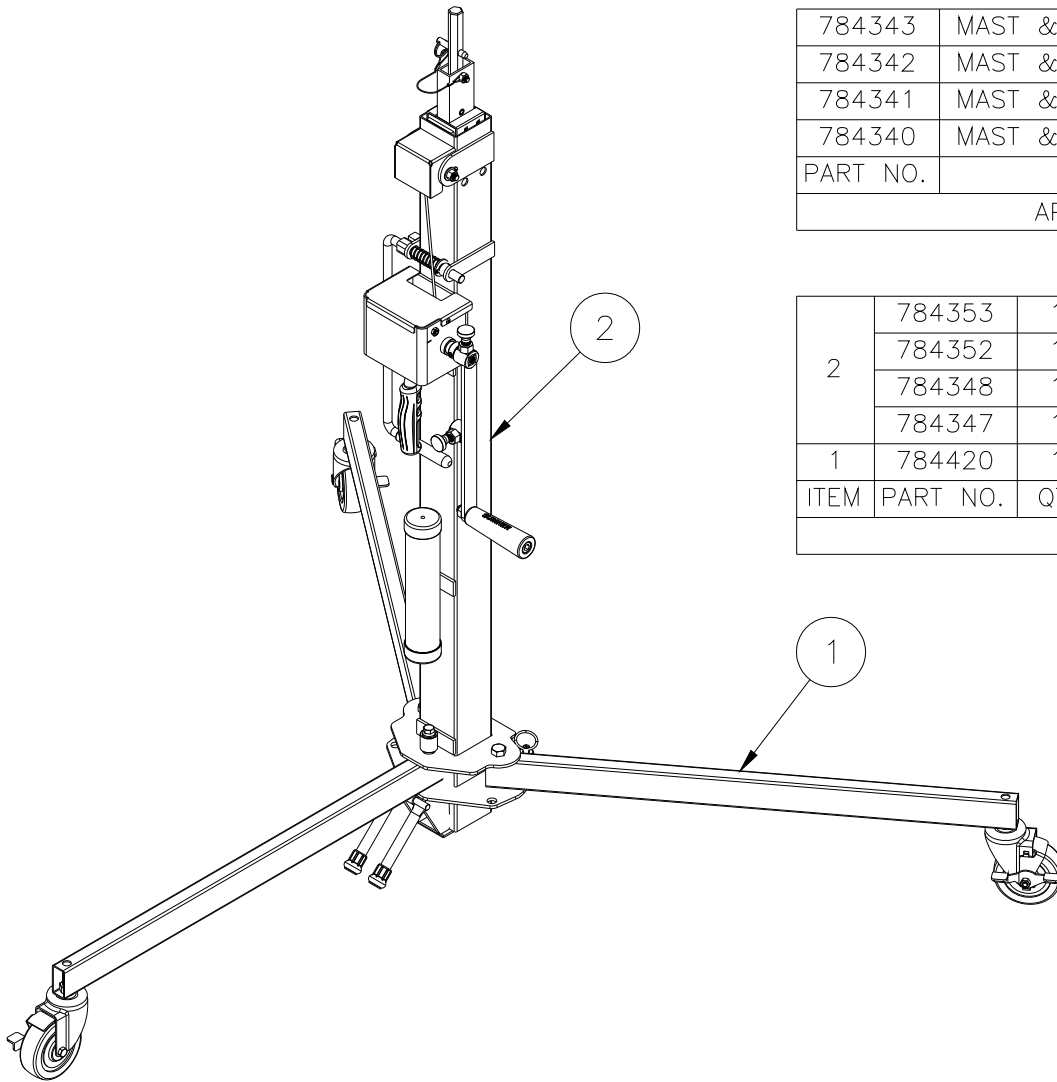
DRYWALL LIFT – MAST ASSEMBLY



* LOAD LINE QTY. IS (1) FOR 2311 AND 2315 LIFTS
 * LOAD LINE QTY. IS (2) FOR 2311CE AND 2315CE LIFTS

4	*	LOAD LINE	784442	784442	784460	784460
3	1	TOP MAST ASSEMBLY	784358	784411	784459	784463
2	1	CENTER MAST ASSEMBLY	784357	784396	784457	784462
1	1	OUTER MAST ASSEMBLY	784356	784388	784455	784461
ITEM	QTY.	DESCRIPTION	2311	2311CE	2315	2315CE
PARTS LIST			PART NO./UNIT			

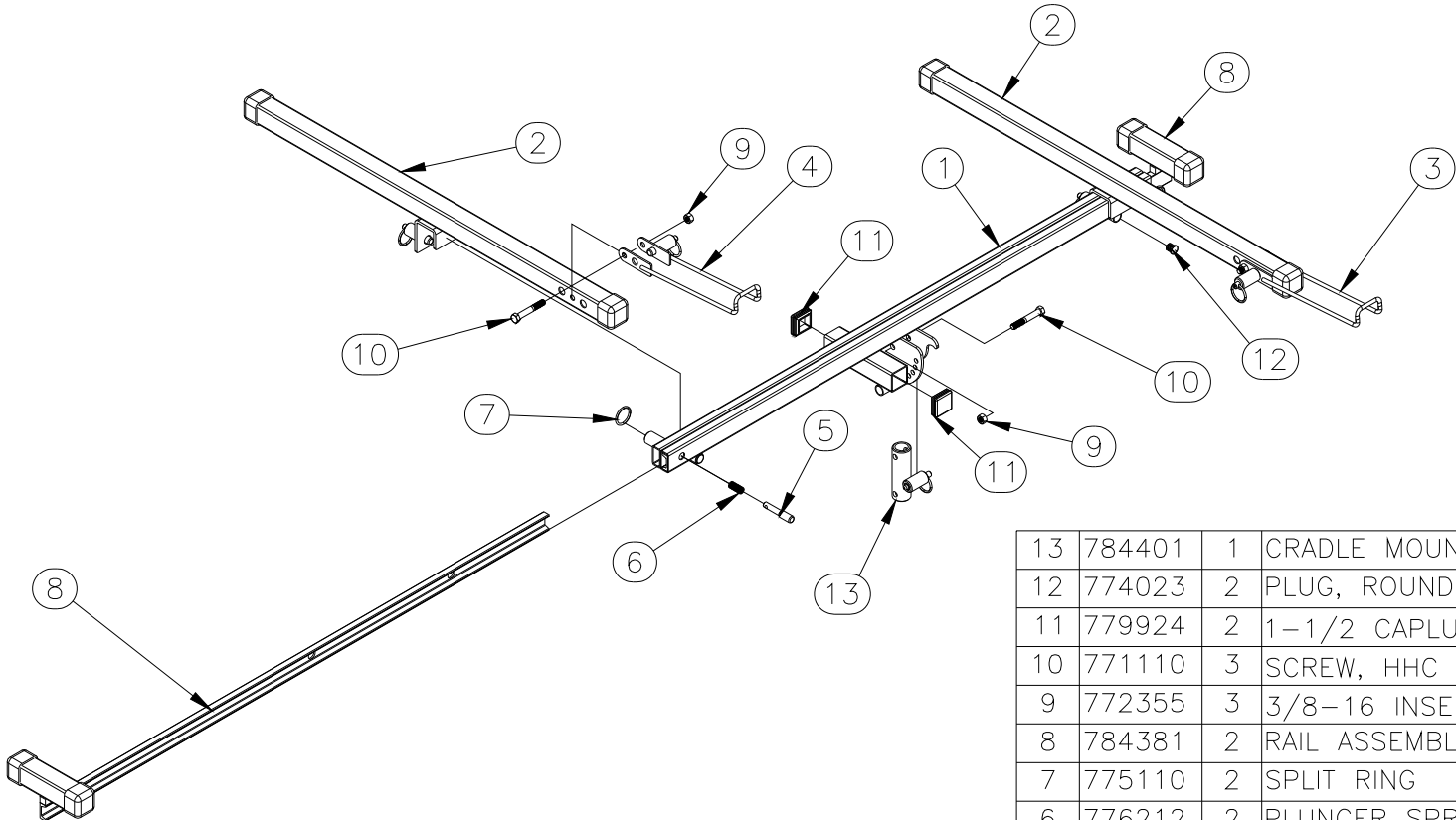
MAST & BASE ASSEMBLY



784343	MAST & BASE ASSEMBLY MODEL 2315CE
784342	MAST & BASE ASSEMBLY MODEL 2315
784341	MAST & BASE ASSEMBLY MODEL 2311CE
784340	MAST & BASE ASSEMBLY MODEL 2311
PART NO.	DESCRIPTION
APPLICATION CHART	

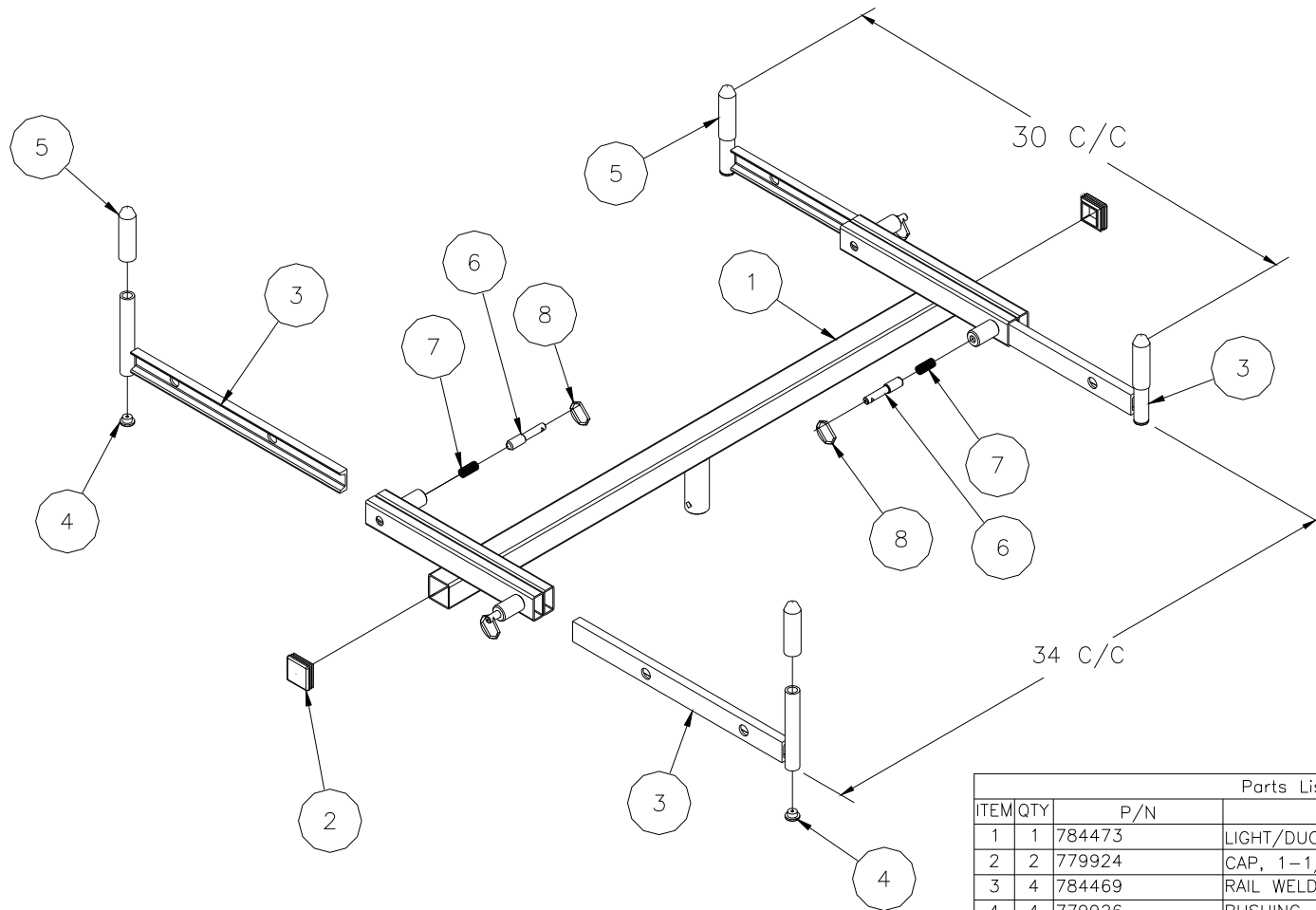
2	784353	1	MAST ASSEMBLY MODEL 2315CE
	784352	1	MAST ASSEMBLY MODEL 2315
	784348	1	MAST ASSEMBLY MODEL 2311CE
	784347	1	MAST ASSEMBLY MODEL 2311
1	784420	1	BASE ASSEMBLY 2300
ITEM	PART NO.	QTY.	DESCRIPTION
PARTS LIST			

784355 – DRYWALL CRADLE ASSEMBLY



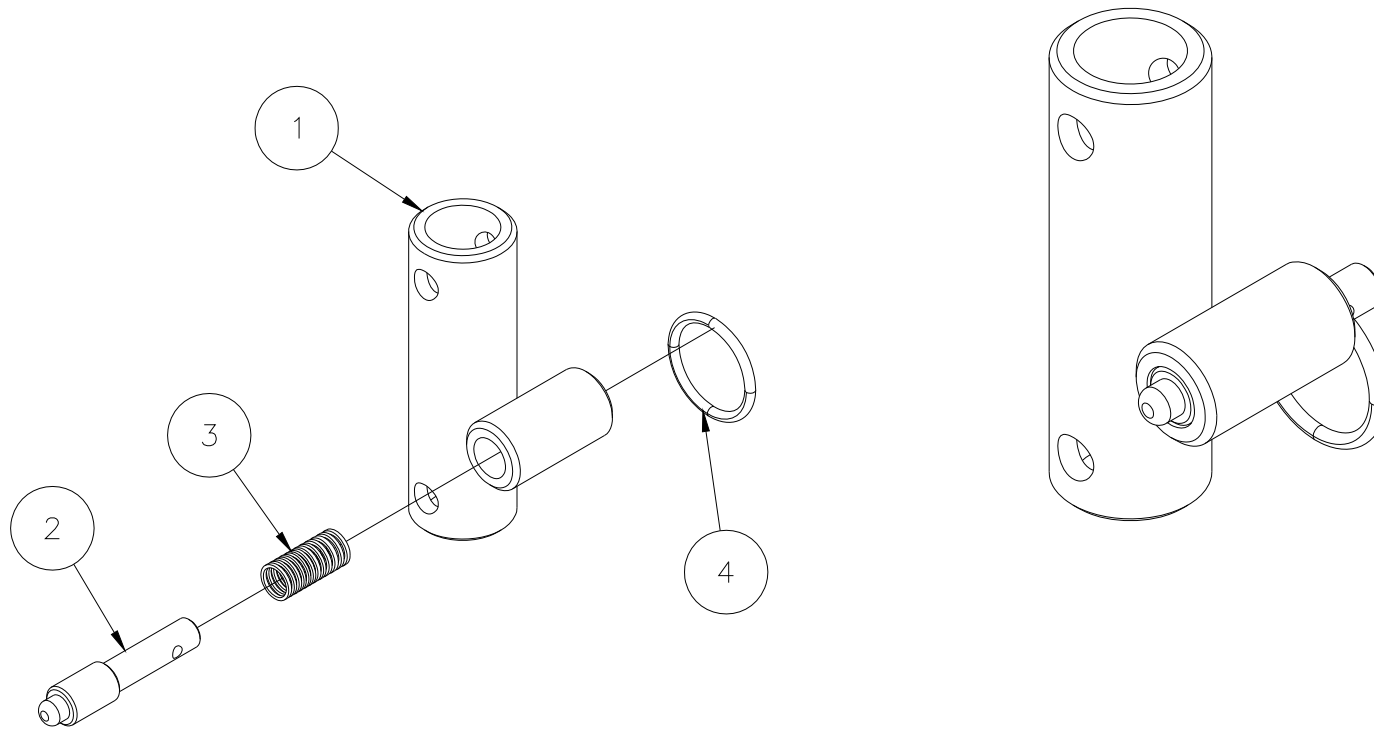
13	784401	1	CRADLE MOUNT ASSEMBLY
12	774023	2	PLUG, ROUND POLY.
11	779924	2	1-1/2 CAPLUG
10	771110	3	SCREW, HHC 3/8-16 x 2-1/2
9	772355	3	3/8-16 INSERT LOCK NUT
8	784381	2	RAIL ASSEMBLY
7	775110	2	SPLIT RING
6	776212	2	PLUNGER SPRING
5	782510	2	PLUNGER
4	784373	1	HOOK ASSEMBLY (RIGHT HAND)
3	784372	1	HOOK ASSEMBLY (LEFT HAND)
2	784376	2	CROSS ARM ASSEMBLY
1	784365	1	CRADLE WELDMENT
Item	Part No.	Qty	Description
Parts List			

784474 – LIGHT/DUCT WORK CRADLE ASY.



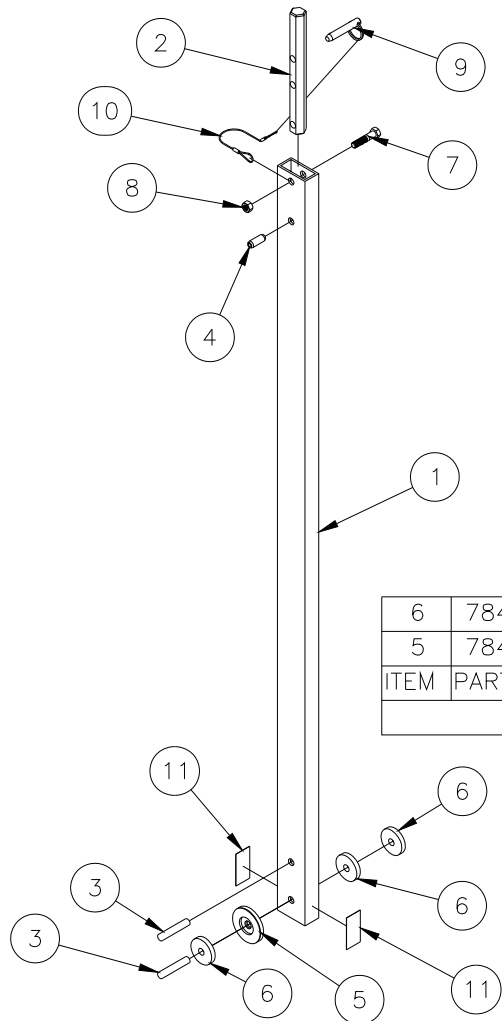
Parts List			
ITEM	QTY	P/N	DESCRIPTION
1	1	784473	LIGHT/DUCT WORK CRADLE WELDMENT
2	2	779924	CAP, 1-1/2" SQUARE TUBING
3	4	784469	RAIL WELDMENT
4	4	779926	BUSHING, RUBBER BUMPER
5	4	779927	GRIP, ROUND SOFTEX BLK.
6	4	782510	PLUNGER
7	4	776212	SPRING
8	4	775110	SPLIT RING

784401 – CRADLE MOUNT ASSEMBLY



4	775110	1	SPLIT RING
3	776212	1	PLUNGER SPRING
2	783342	1	PLUNGER PIN
1	784384	1	CRADLE MOUNT WELDMENT
Item	Part No.	Qty	Description
Parts List			

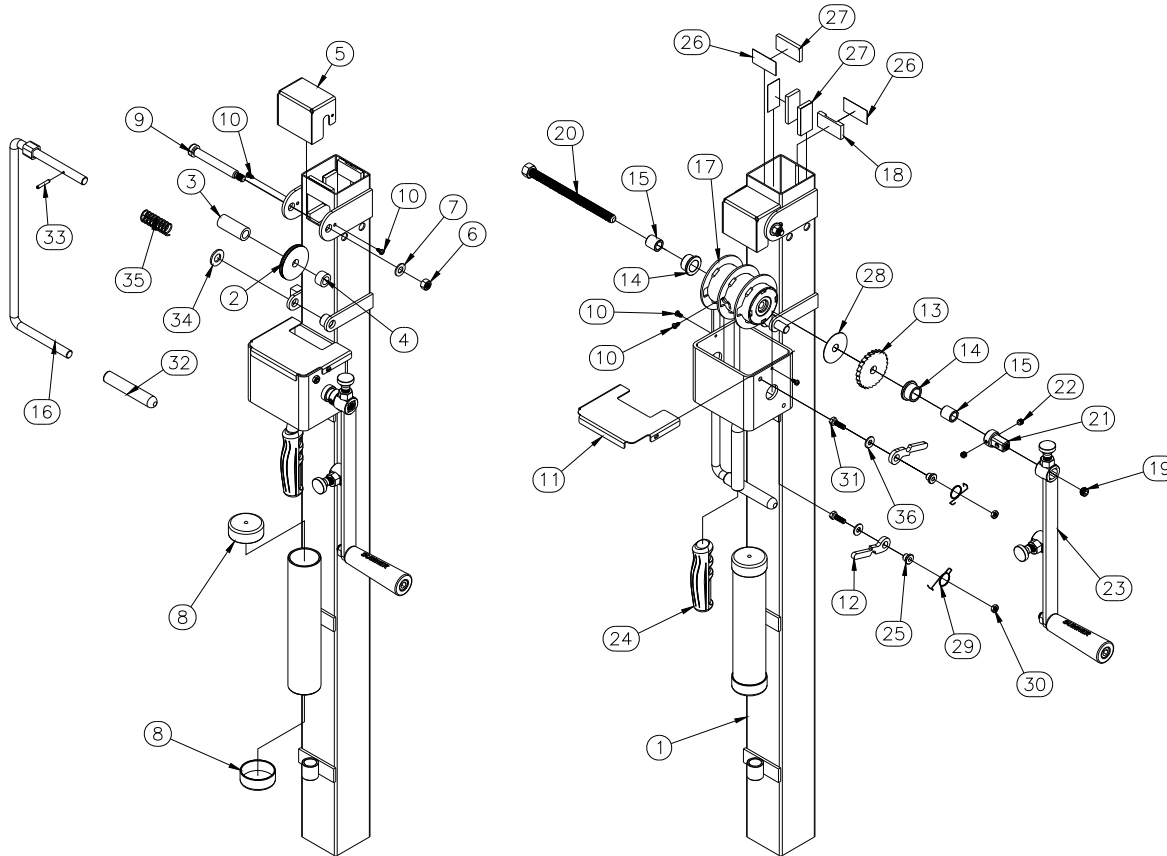
DRYWALL LIFT – TOP MAST ASSEMBLY



11	776058	2	TAPE, UHMW .0015 X 1"
10	774195	1	MAST HOLD DOWN (LANYARD)
9	779411	1	PIN DETENT 3/8 X 1.5 LG.
8	772351	1	NUT, INSERT LOCK 5/16 -18
7	771055	1	SCREW, HHC 5/16-18 X 1-1/2
6	784412	*	TOP MAST WEAR DISC
5	784391	*	PULLEY, BRASS 2"
4	774042	1	PIN, ROLL 3/8 X 1
3	774041	2	PIN, DOWEL 3/8 X 2
2	784402	1	SPINDLE
1	784458	1	TOP MAST TUBE 2315
	784410	1	TOP MAST TUBE 2311
ITEM	PART NO.	QTY.	DESCRIPTION
PARTS LIST			

6	784412	TOP MAST WEAR DISC	3	2	3	2
5	784391	PULLEY, BRASS 2"	1	2	1	2
ITEM	PART NO.	DESCRIPTION	2311	2311CE	2315	2315CE
APPLICATION CHART			QTY. PER UNIT			

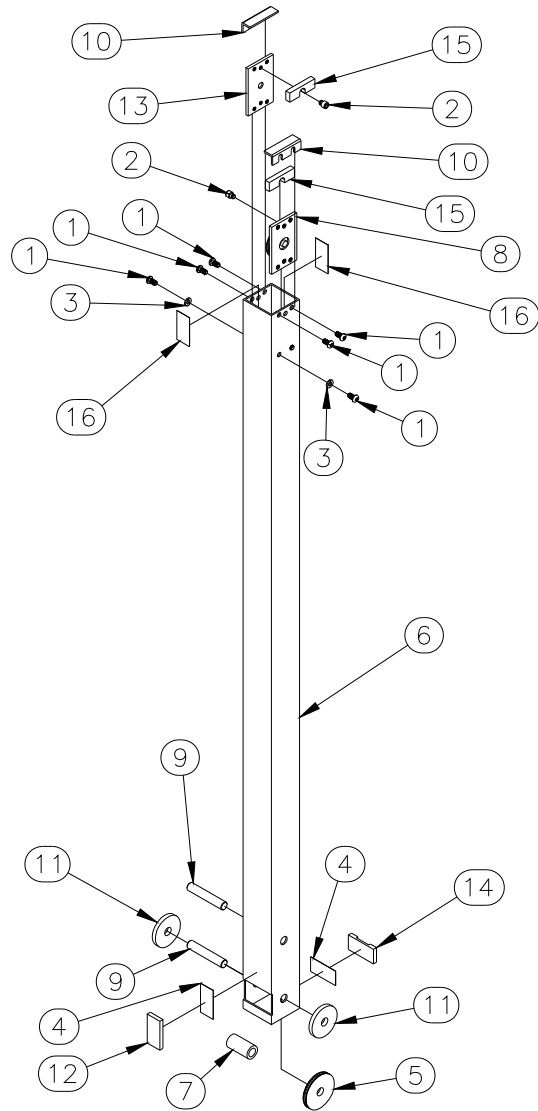
DRYWALL LIFT – OUTER MAST ASSEMBLY



Item	Part No.	Description	2311	2311CE	2315	2315CE
4	784394	PULLEY SPACER 1/2" LG.	1	2	1	2
3	784393	SPACER, PULLEY 1-1/4"		1		1
	784446	SPACER, PULLEY 2"	1		1	
2	784390	PULLEY 2-1/4" BRASS	1	2	1	2
APPLICATION CHART			QTY. PER UNIT			

36	773020	2	WASHER, FLAT 1/4 USS
35	776216	1	SPRING, CENTURY #71924
34	773094	1	WASHER, FLAT 1/2 SAE
33	774095	1	PIN, ROLL 1/8 X 1
32	779114	1	HANDLE GRIP FOAM 1/2 X 4 BLK
31	771031	2	SCREW, HHC 1/4-20 X 7/8
30	772507	2	NUT, INSERT JAM 1/4-20 PLTD
29	784465	2	SPRING, TORSION 2300 LIFT
28	782414	1	WASHER, THRUST 1/2 X 2 X .03
27	784405	3	WEAR PAD FLAT 1 X 2
26	779113	4	TAPE, DOUBLESIDED .020 X 1
25	784441	2	RACHET DOG BUSHING
24	779528	1	GRIP, HAND (BLACK) MODEL 1 & 2
23	784289	1	WINCH HANDLE ASSEMBLY, 2200
22	771431	2	SCREW, SET 1/4-20 X 5/16 FLT PT
21	784284	1	WINCH HANDLE ADAPTER
20	784464	1	WINCH SHAFT WELDMENT
19	771439	1	SCREW, SET 1/2-13 X 3/8 CUP PT
18	784451	1	WEAR PAD SLOTTED 1 X 2
17	784433	1	WINCH DRUM MACHINED
16	784449	1	HANDLE WELDMENT - DRYWALL LIFT
15	782960	2	ROLLER SHAFT
14	775090	2	BUSH, BZ FL 3/4 X 1 X 5/8
13	784431	1	WINCH RACHET
12	784427	2	RACHET DOG
11	784428	1	WINCH COVER
10	776042	5	SCREW, SM #8-32 X 1/2 PHF
9	771137	1	SCREW, SHOULDER 1/2 X 3-1/2
8	779905	2	CAP, 2" OD TUBE, BLK
7	773040	1	WASHER, FLAT 3/8 USS
6	772355	1	NUT, INSERT LOCK 3/8-16
5	784408	1	PULLEY GUARD
4	784394	*	SPACER, PULLEY 1/2"
3	784393	*	SPACER, PULLEY 1-1/4"
	784446	*	SPACER, PULLEY 2"
2	784390	*	PULLEY 2-1/4" BRASS
1	784454	1	OUTER MAST WELDMENT 2315
	784386	1	OUTER MAST WELDMENT 2311
Item	Part No.	Qty	Description
			Parts List

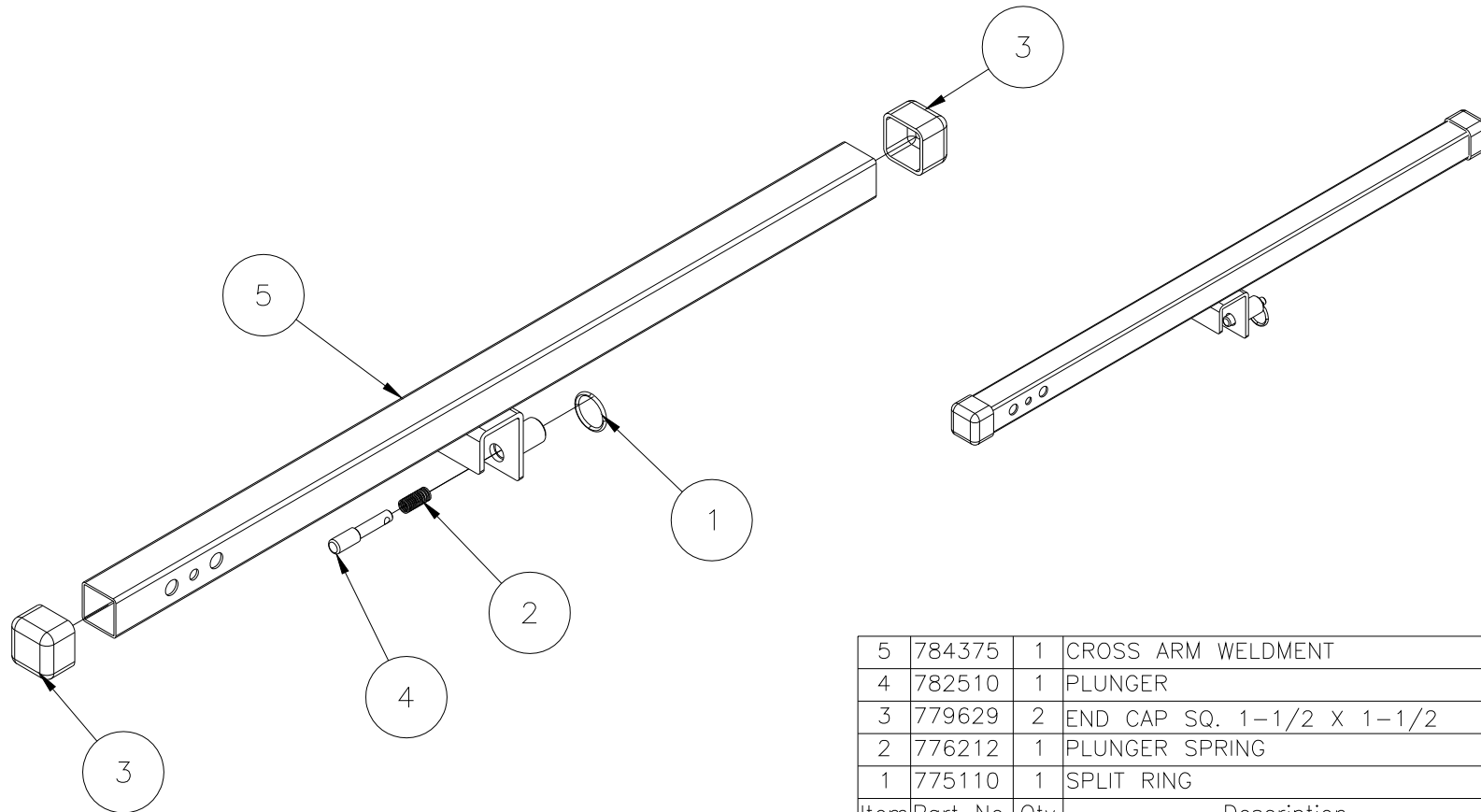
2300 LIFT – CENTER MAST ASSEMBLY



16	776058	2	TAPE, UHMW .0115 THK X 1"
15	784452	2	WEAR PAD SLOTTED 5/8 X 2
14	784451	1	WEAR PAD SLOTTED 1 X 2
13	784398	*	PULLEY BRACKET
12	784405	1	WEAR PAD FLAT 1 X 2
11	784404	2	CENTER MAST WEAR DISC
10	784403	2	TOP COVER
9	774043	2	PIN, DOWEL 1/2 X 2-3/4
8	784399	*	CENTER MAST PULLEY WELDMENT
7	784397	*	SPACER, PULLEY 1-3/8"
	784447	*	SPACER, PULLEY 1-3/4"
6	784456	1	CENTER MAST TUBE 2315
	784395	1	CENTER MAST TUBE 2311
5	784390	*	PULLEY 2-1/4" BRASS
4	779113	2	TAPE, DOUBLESIDED .020 X 1W
3	773550	2	WASHER, LOCK 1/4
2	771138	2	SCREW, SHC 1/4-20 X 1/4
1	771044	*	SCREW, BHC 1/4-20 X 3/8
ITEM	PART NO.	QTY.	DESCRIPTION
PARTS LIST			

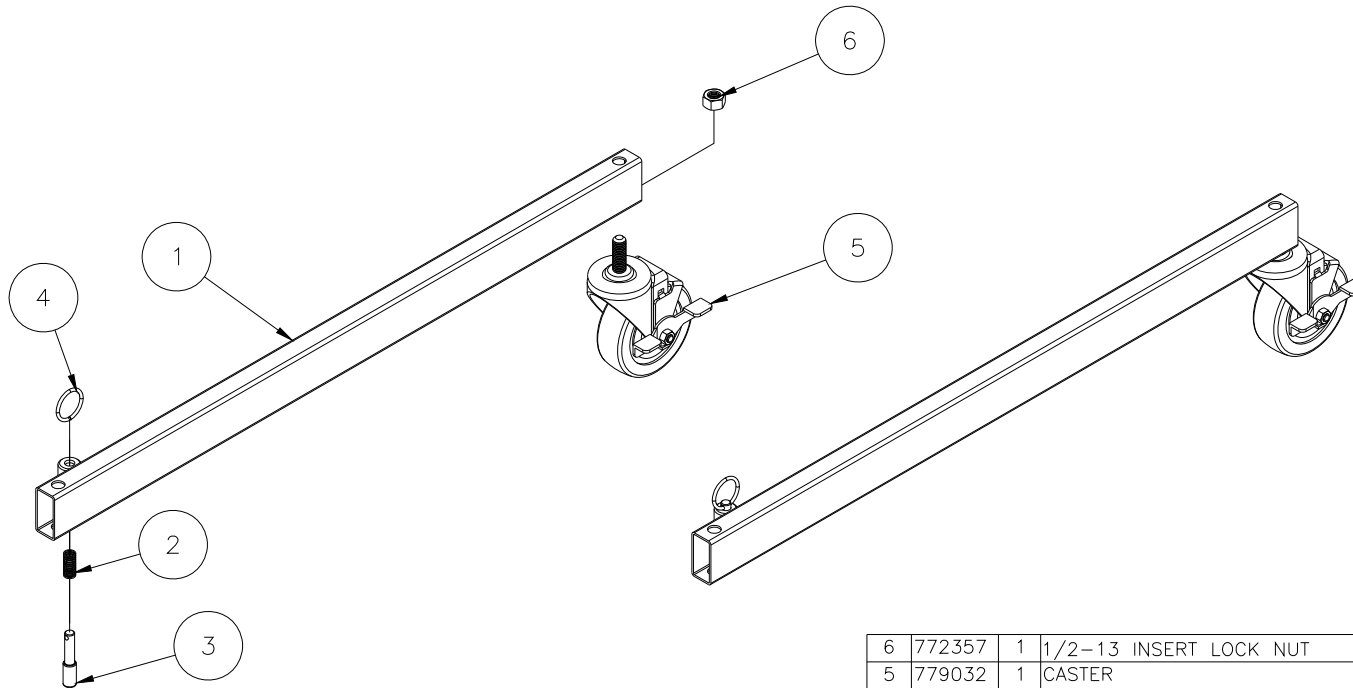
13	784398	PULLEY BRACKET	1		1	
8	784399	CENTER MAST PULLEY WELDMENT	1	2	1	2
7	784397	SPACER, PULLEY 1-3/8"		1		1
	784447	SPACER, PULLEY 1-3/4"	1		1	
5	784390	PULLEY 2-1/4" BRASS	1	2	1	2
1	771044	SCREW, BHC 1/4-20 X 3/8	7	8	7	8
ITEM	PART NO.	DESCRIPTION	2311	2311CE	2315	2315CE
APPLICATION CHART			QTY. PER UNIT			

784376 – CROSS ARM ASSEMBLY



5	784375	1	CROSS ARM WELDMENT
4	782510	1	PLUNGER
3	779629	2	END CAP SQ. 1-1/2 X 1-1/2
2	776212	1	PLUNGER SPRING
1	775110	1	SPLIT RING
Item	Part No.	Qty	Description
Parts List			

LEG ASSEMBLY

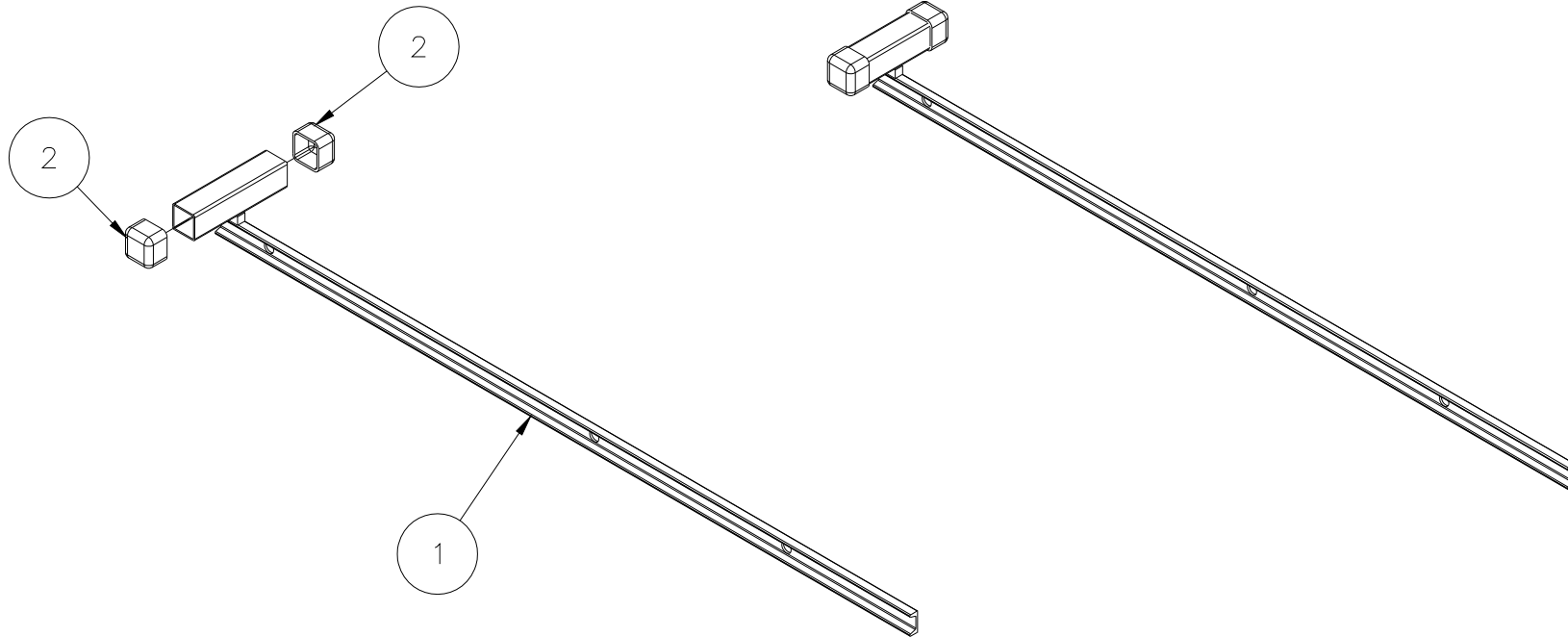


6	772357	1	1/2-13 INSERT LOCK NUT
5	779032	1	CASTER
4	775110	1	SPLIT RING
3	782510	1	PLUNGER
2	776212	1	PLUNGER SPRING
1	*	1	LEG WELDMENT *
Item	Part No.	Qty	Description
Parts List			

*SEE APPLICATION CHART

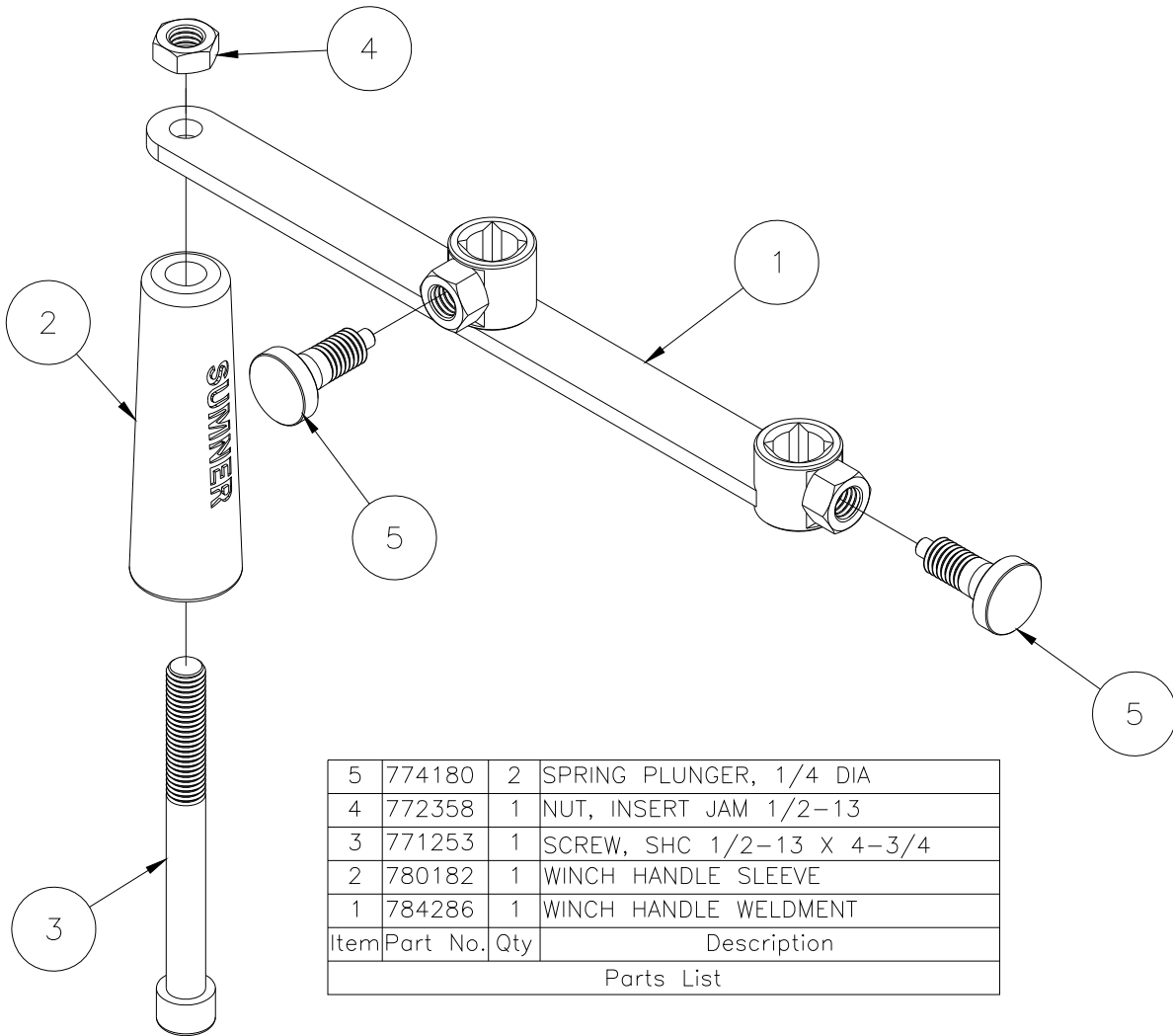
APPLICATION CHART		
ITEM	RIGHT HAND	LEFT HAND
1	784423	784425

784381 – RAIL ASSEMBLY



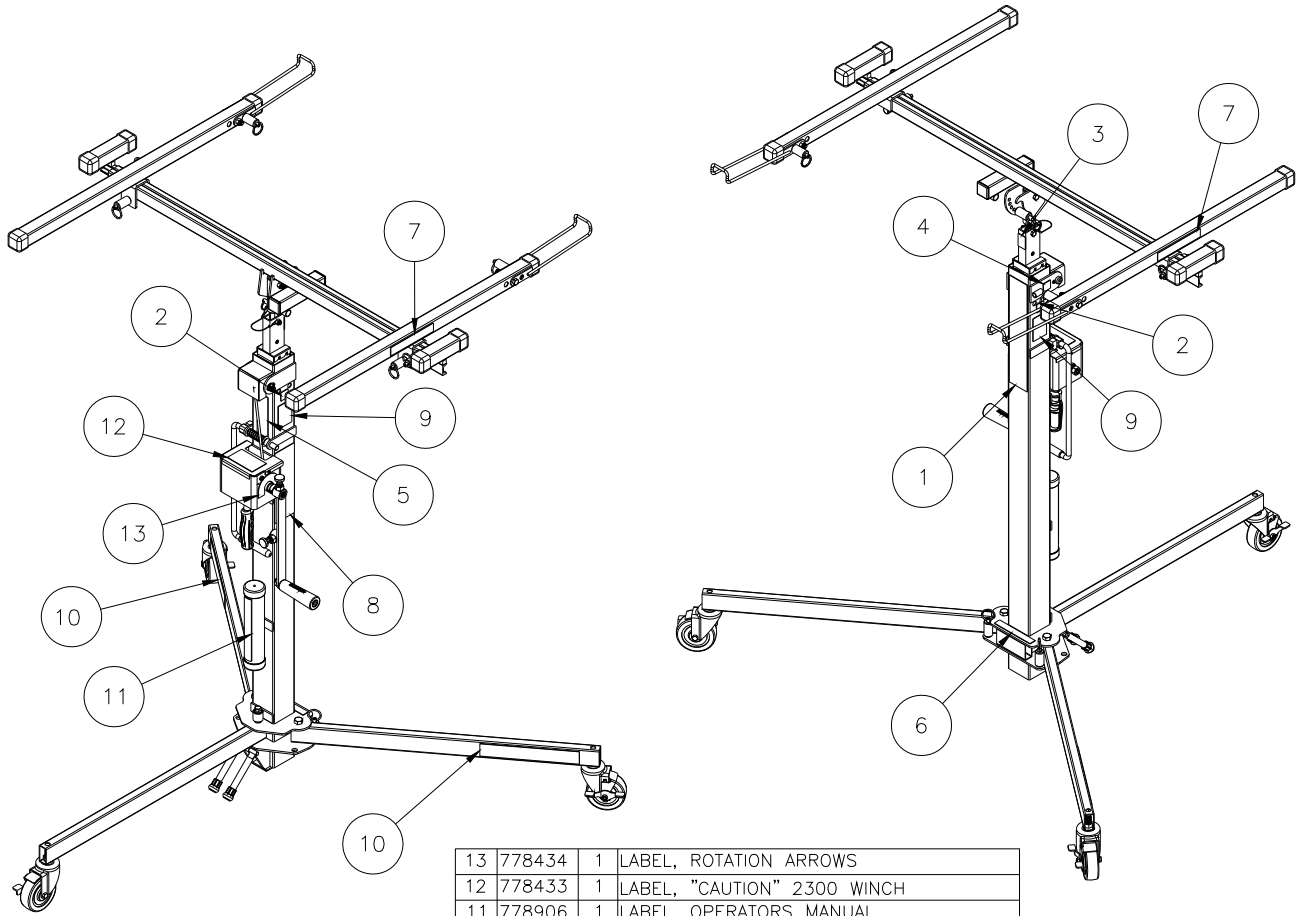
2	779629	2	END CAP
1	784380	1	RAIL WELDMENT
Item	Part No.	Qty	Description
Parts List			

784289 – WINCH HANDLE ASSEMBLY, 2200



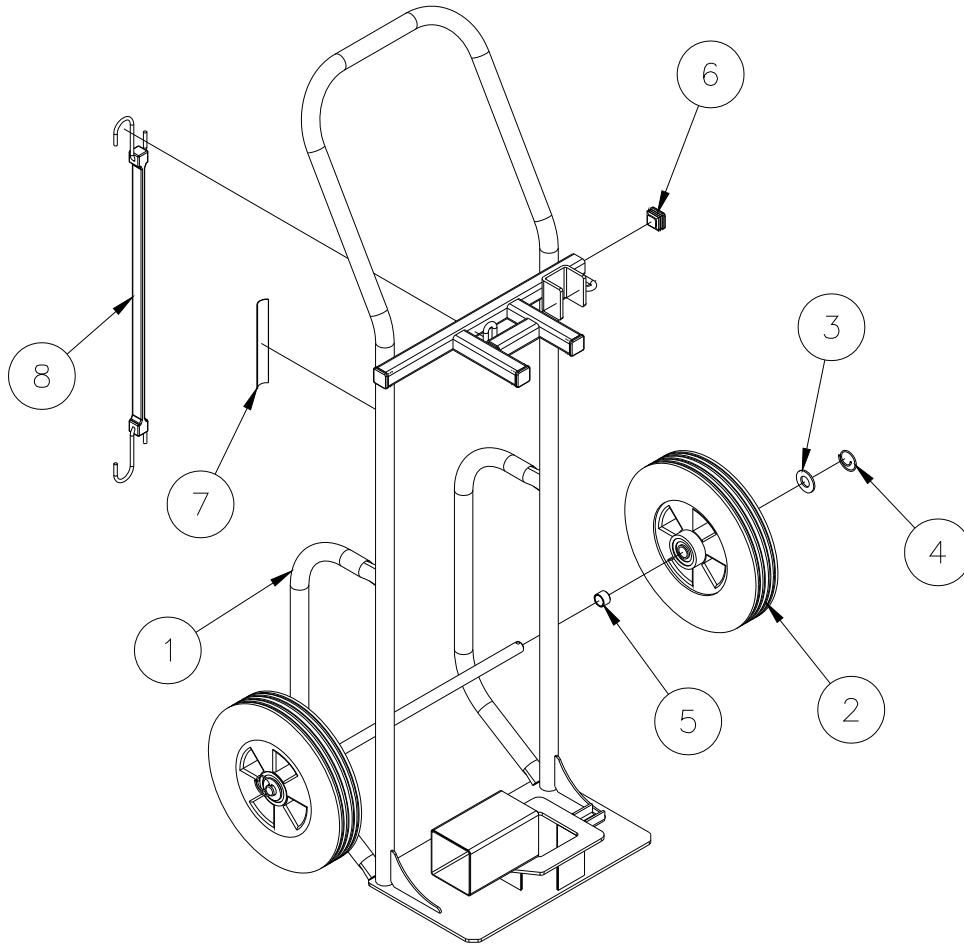
5	774180	2	SPRING PLUNGER, 1/4 DIA
4	772358	1	NUT, INSERT JAM 1/2-13
3	771253	1	SCREW, SHC 1/2-13 X 4-3/4
2	780182	1	WINCH HANDLE SLEEVE
1	784286	1	WINCH HANDLE WELDMENT
Item	Part No.	Qty	Description
Parts List			

COMMON LABEL PLACEMENT



	13	778434	1	LABEL, ROTATION ARROWS
	12	778433	1	LABEL, "CAUTION" 2300 WINCH
	11	778906	1	LABEL, OPERATORS MANUAL
	10	778450	2	LABEL, "SUMNER" 2200 LIFT
*	9	778436	2	LABEL, "MODEL 2315" DRYWALL LIFT
*	9	778431	2	LABEL, "MODEL 2311" DRYWALL LIFT
	8	778430	1	LABEL, "WARNING" DRYWALL LIFT
	7	778429	2	LABEL, "WARNING" LOCKING PINS
	6	778428	1	LABEL, "WARNING" LIFT LEGS
*	5	778435	1	LABEL, SUMNER SERIAL NUMBER 2315
*	5	778427	1	LABEL, SUMNER SERIAL NUMBER 2311
	4	778426	1	LABEL, "MAST LATCH"
	3	778425	1	LABEL, "WARNING" ENGAGE PIN
	2	778424	2	LABEL, "CE" DRYWALL LIFT
	1	778423	1	LABEL, "SUMNER" DRYWALL LIFT
Item	Part No.	Qty	Description	
Parts List				

784510 – DRYWALL LIFT TRUCK



8	779221	1	TIE DOWN STRAP
7	778422	1	LABEL, "DRYWALL LIFT TRUCK"
6	779915	4	CAP, 1" SQ. TUBING, BLK.
5	775053	2	BUSHING, BZ 5/8 X 3/4 X 1/2
4	774054	2	COTTER, CIRCLE Z/P
3	773051	2	WASHER, FLAT 5/8" USS
2	779011	2	WHEEL, 10" RUBBER TIRE
1	784509	1	DRYWALL LIFT TRUCK WELDMENT
Item	Part No.	Qty	Description
Parts List			