











**Trailer mounted lift
TM18GT**

Trailer mounted lift TM18GT

OPTIONS

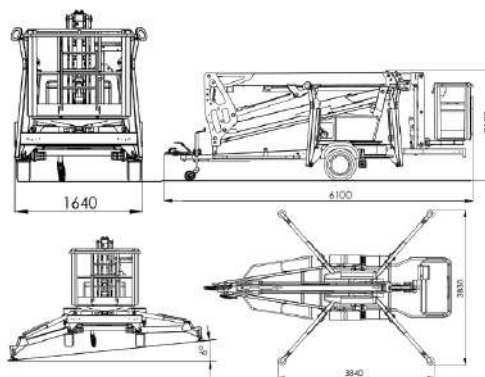
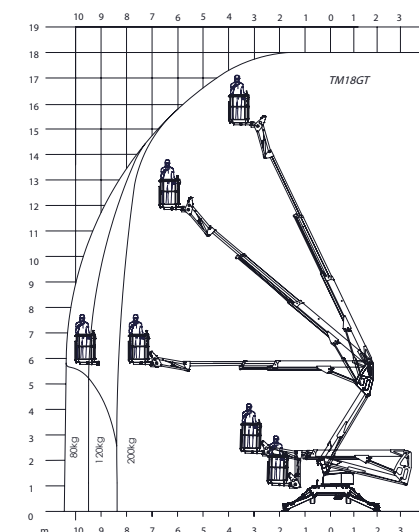
- Custom colour
- Auto chassis level
- Battery power 24V 225 Ah
- G.R.P. basket with tool tray (2 person)
- Outrigger plate pads

SPECIFICATIONS

	Working Height	18 m
	Platform Height	16 m
	Horizontal Reach (80 / 220 kg)	10,5 / 8,2 m
	Platform Capacity	200 kg
	Slewing	355°
	Flyjib	1.3 m
	Platform dimensions	1,2x0,8x1,1 m
	Platform rotator	2x45°
	Transport length (A)	ca. 6,1 m
	Transport width (B)	1,64 m
	Transport height	ca. 2,1 m
	Total weight: (230V, Honda, wheel assist)	ca. 2070 kg
	Total weight: (battery 24VDC, wheel assist)	ca. 2070 kg
	Outrigger footprint (D) Outrigger plate outer edge	3,84 m
	Gradeability	10%
	Max. towing speed	80 km/h
	Brake	Overrun Brakes with Gas Spring
	Tyres	215 R 14 C

STANDARD EQUIPMENT

- 230V & Honda power source
- Articulated superstructure with multi telescopic upper boom
- Flyjib 1,3 m
- Hydraulic platform leveling with auto correction at 3°
- Chassis level sensor 1° with acoustic alarm
- Alu basket with wide tool tray, safety handrail and dual harness points
- Proportional electro-hydraulic controls by fingertip joysticks
- Ground pressure sensors on all outrigger plates with audible and visible alarms
- 230V outlet in the basket
- Wheel assist
- Hourmeter
- Ground and upper controls with tarp cover
- EC type road approval
- Manual recovery with hand pump
- Automatic reverse and overrun brakes
- Colour of the machine: RAL3002 (red)



www.instant.no

INSTANT

Norway

Tel.: +47 23 19 11 00
info@instant.no

Lithuania

Tel.: +370 5 233 1096
info@instant.lt

Latvia

Tel.: +371 263 58 152
info@instantlatvija.lv

Estonia

Tel.: +372 680 76 33
info@instant.ee