



Smart lift SL280







Product information and specifications

Smart lift SL280

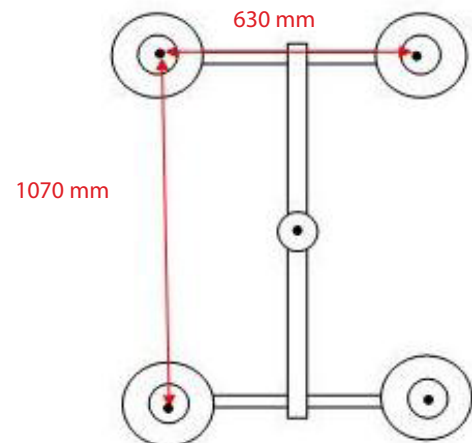
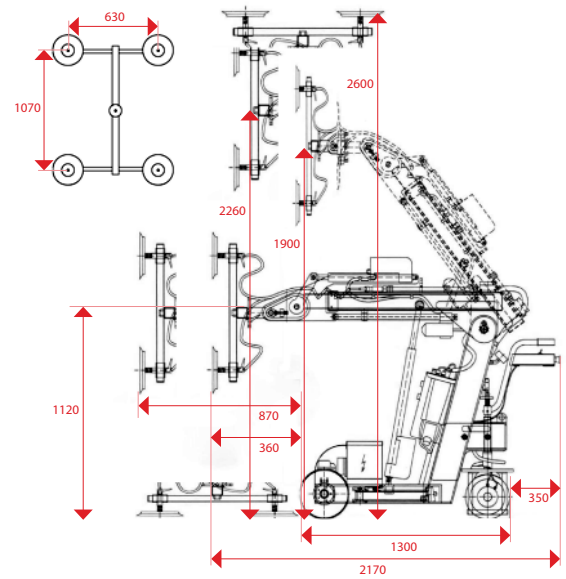
STANDARD EQUIPMENT

- The lifting yoke allows the machine to pick up an element from the ground or a pallet
- Electric actuators for precise installation of the item
- Side shift 100 mm to each side
- 500 W propelling engine
- Flexible 180 degrees turning head
- Extendable lifting arm
- Integrated charger
- The SmartLift can turn around its own axis
- It is easy to transport by its own force over a platform in any van or trailer

DIMENSIONS

	Width (min)	620 mm
	Length (min)	1400 mm
	Extention of arm	500 mm
	Side shift	100 mm
	Height	1320 mm
	Tip from horizontal	100° backwards / 100° forward
	Propelling engine	500 Watt
	Battery (2 x 12 V) 24 Volt	2 x 60 A
	Running period	Approx. 30 hours
	Integrated charger	Cetek XT 14000
	Charging time	Approx. 8 hours
	Voltage charger	230 volt
	Vacuum system	2 circuits
	Suction pads	4 x Ø300 mm
	Automatic suction	Yes
	Weight	470 kg

LOADING DIAGRAM



www.instant.no

INSTANT

Norway

Tel.: +47 23 19 11 00
info@instant.no

Lithuania

Tel.: +370 5 233 1096
info@instant.lt

Latvia

Tel.: + 371 263 58 152
info@instantlatvija.lv

Estonia

Tel.: +372 680 76 33
info@instant.ee